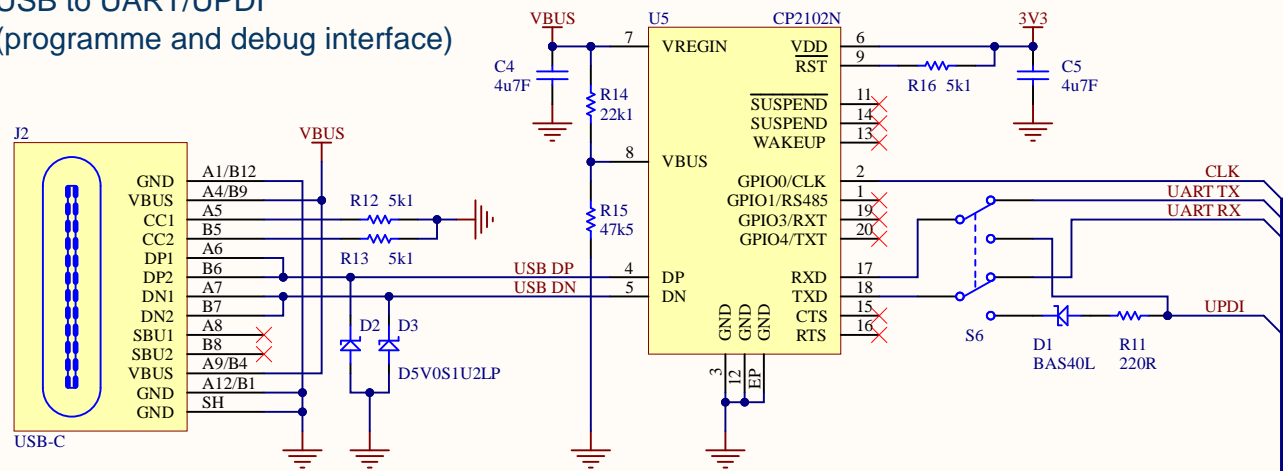
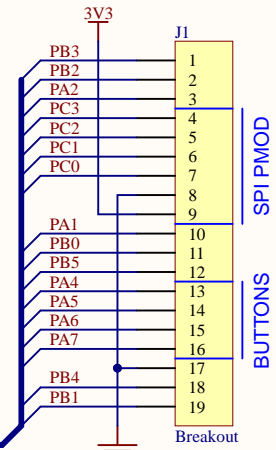


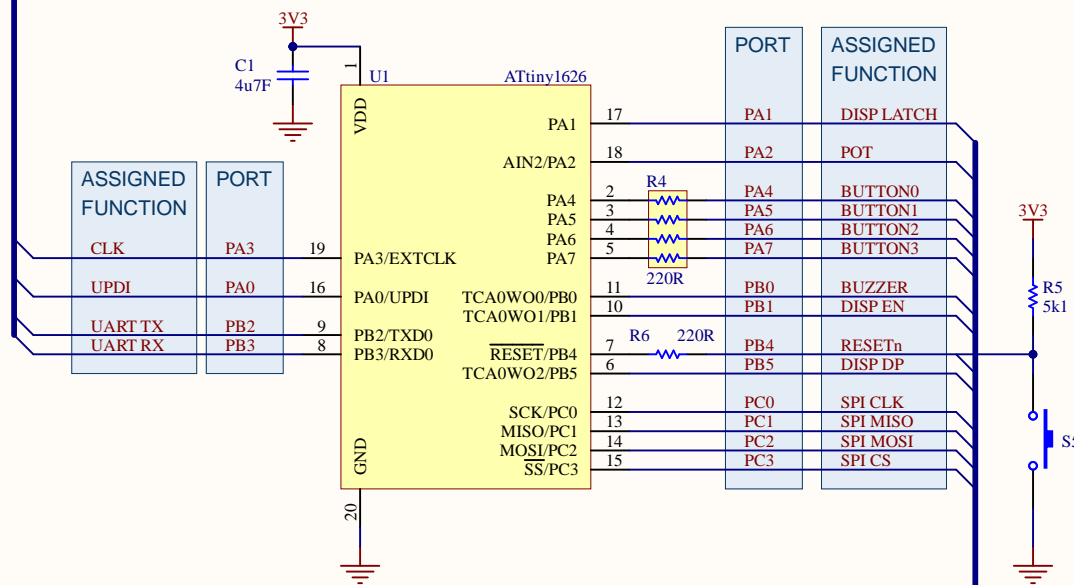
USB to UART/UPDI (programme and debug interface)



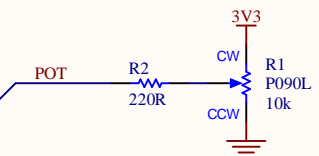
Breakout Interface



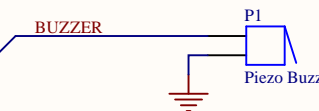
Microcontroller (ATtiny1626)



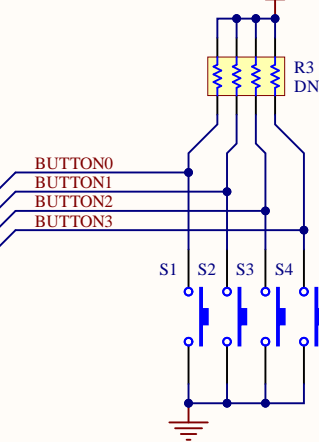
Potentiometer (analogue input)



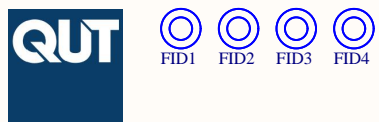
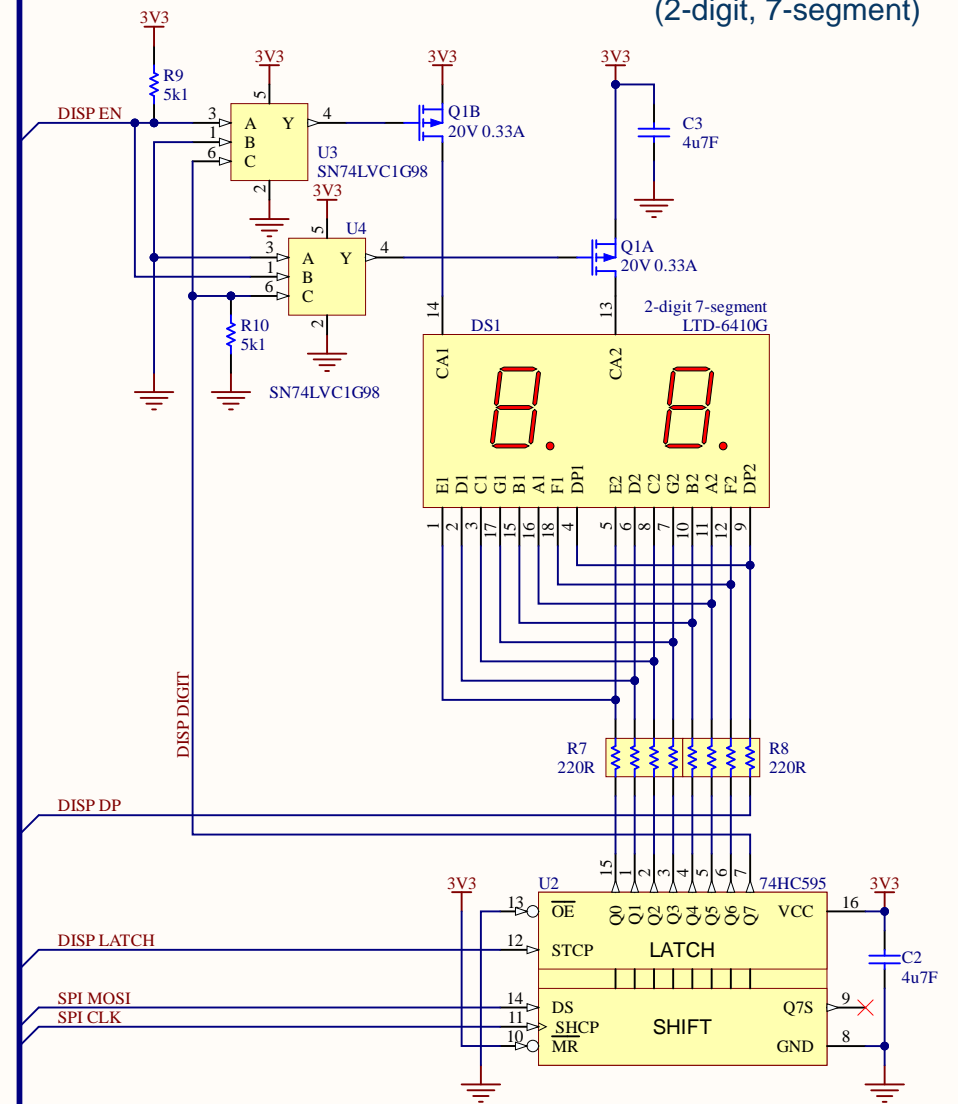
Buzzer (audio output)



Pushbuttons (digital inputs)



LED Display (2-digit, 7-segment)



Rev	Date	Description
01	07/07/22	Initial release.

Sheet Title: QUTy Microcontroller Development Board

Project: QUTy

Size: A3 Number: QUTy-S01

Drawn By: Mark Broadmeadow

Print Date: 7/07/2022

Version: 01
Revision: 00
Sheet 1 of 1

Print Time: 3:05:17 PM

File Name: QUTy-S01-V01-Microcontroller.SchDoc

